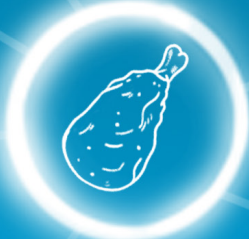


Freshline® Process Intelligence



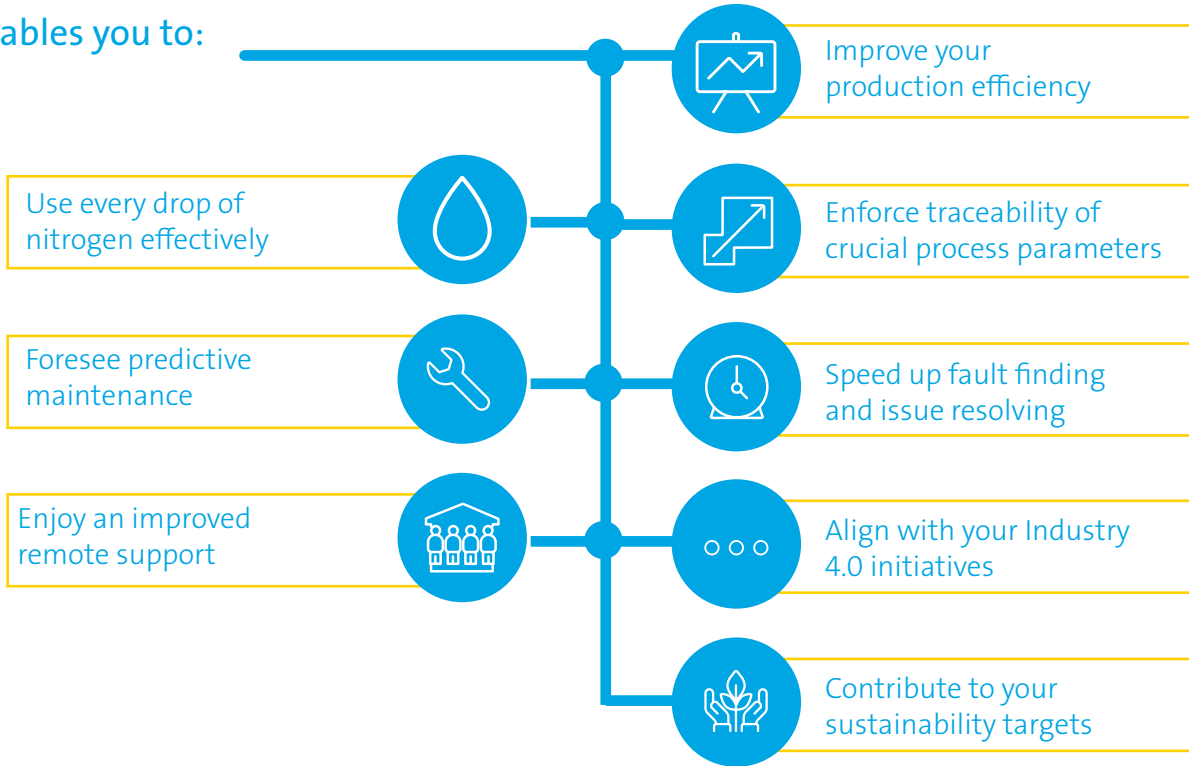
Enter the world of
smart cryogenic
freezing



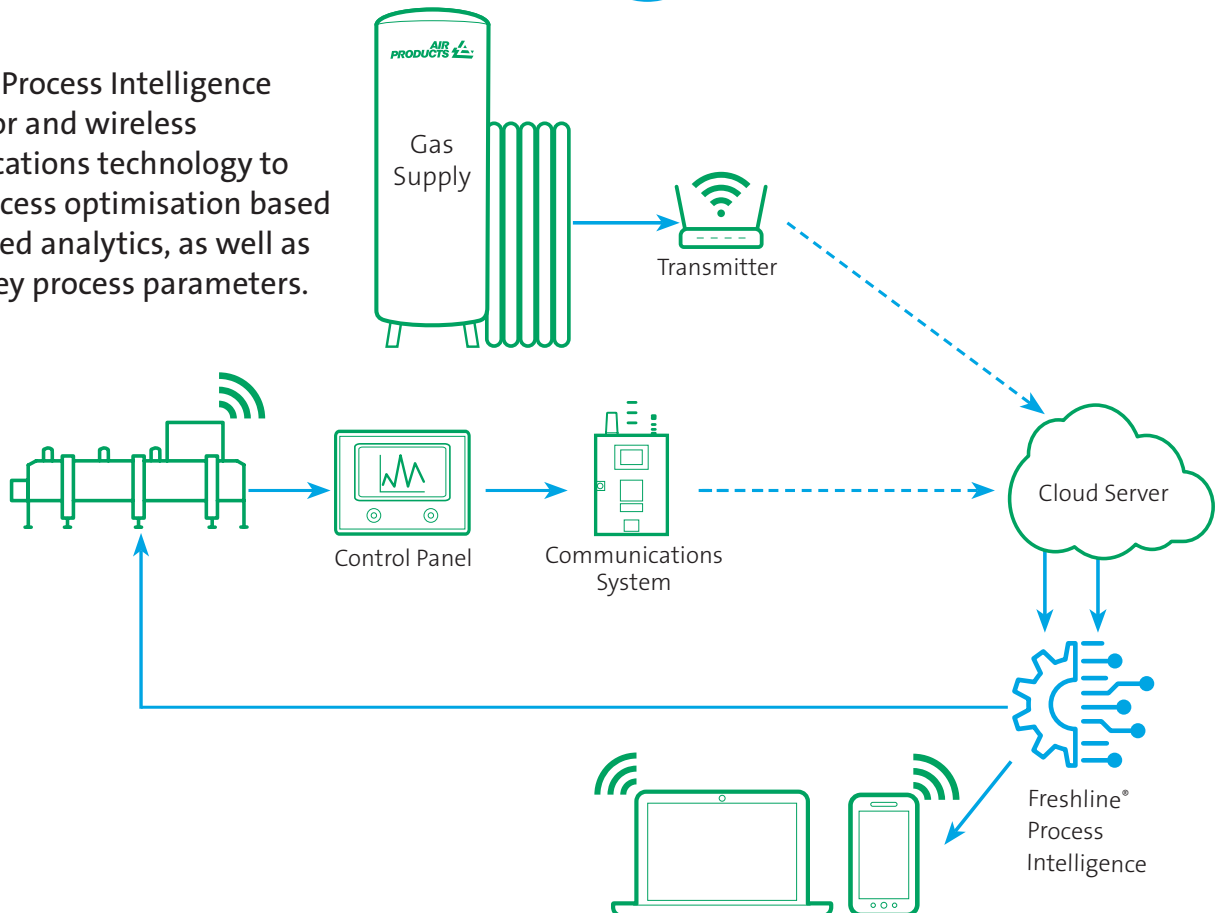
Enter the world of smart cryogenic freezing with Freshline® Process Intelligence

Freshline® Process Intelligence revolutionises the level of convenience, efficiency and control offered by current cryogenic freezing processes.

Air Products' experts and the intelligence system constant monitoring enables you to:



Freshline® Process Intelligence uses sensor and wireless communications technology to advise process optimisation based on advanced analytics, as well as tracking key process parameters.



Key Benefits



- Reduces unplanned downtime
- Improves production uptime
- Optimises maintenance schedule
- Optimises nitrogen deliveries



- Maximises the use of your tunnel
- Reduce consumption where amenable
- Transparency of nitrogen usage, by recipe, by tunnel, or by time period
- Enables efficiency evaluations



- Freezes products optimally
- Potentially lowers physical product damage related to unoptimised loading



- Access process data remotely
- Quicker enquiry resolution by avoiding unnecessary on-site visits

Available on all Freshline® EF, MP, DM and IQF+ tunnel freezers.

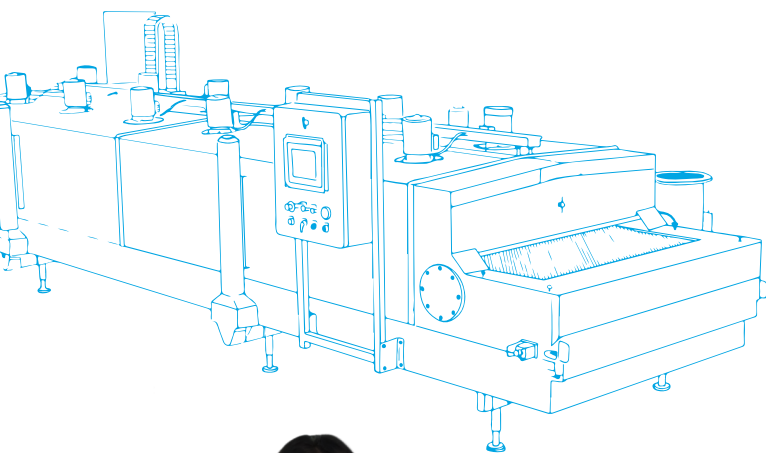


Data or Expert level. The choice is yours:



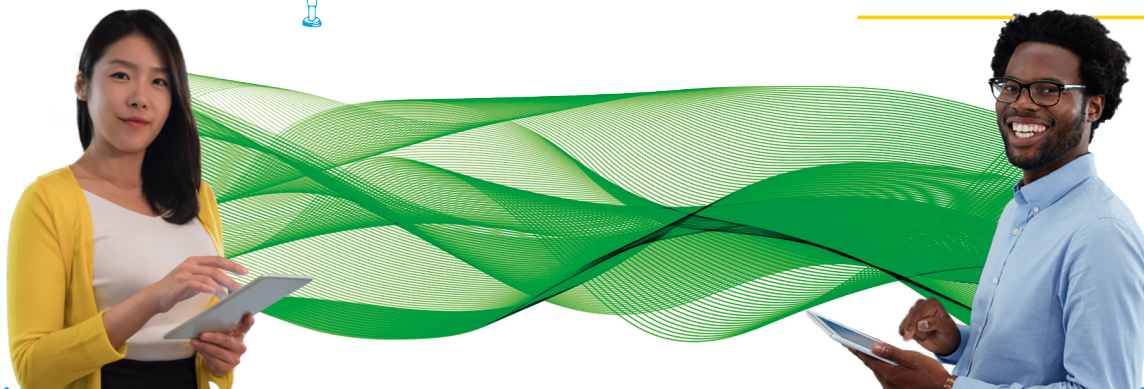
Data Level Features:

- Automated daily email service ("Yesterday's data")
- Key alarms and process parameters (KPIs)
- Traffic light system to indicate tunnel performance
- Operation insight/snapshot



Expert Level Features:

- Interactive dashboard
- Proactive Air Products technical support to increase productivity and eliminate downtime
- Access Real-time process data
- Automated monitoring providing analysis
- Historical trend data-logging at a click
- Advanced alarms and resolution proposals
- Predictive maintenance



For more information, please
contact us or visit our website

airproducts.com/services/APPI-freshline

UK and Ireland

T 0800 389 0202 (UK)

T 1800 99 5029 (IE)

apukinfo@airproducts.com



tell me more
airproducts.co.uk